

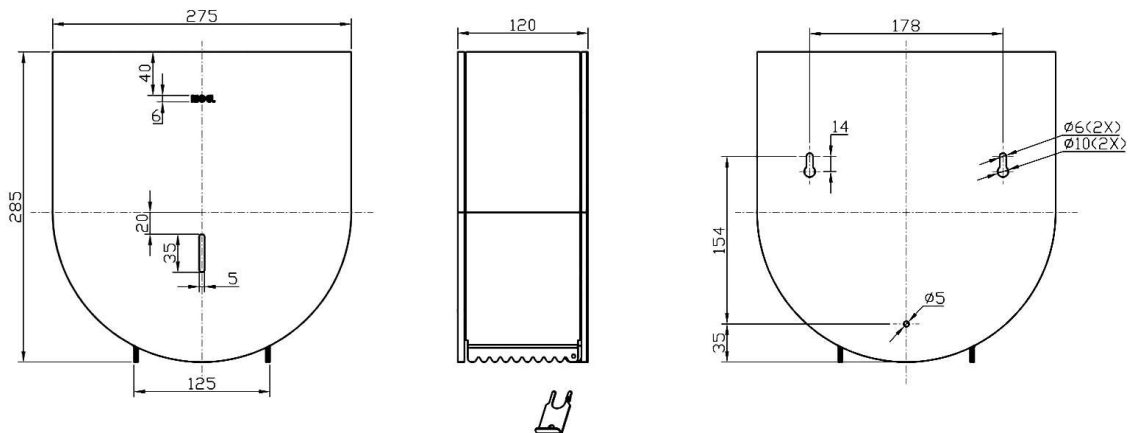
Surface Mounted Jumbo Roll Paper Holder

PRODUCT SPECIFICATIONS

- Dimension : 275 (L) x 120 (W) x 285 (H) mm
- Material : Stainless Steel 304, Hairline Finish



TECHNICAL DRAWING



Copyright © Rigel Technology (S) Pte Ltd. All rights reserved. Terms of Use.